

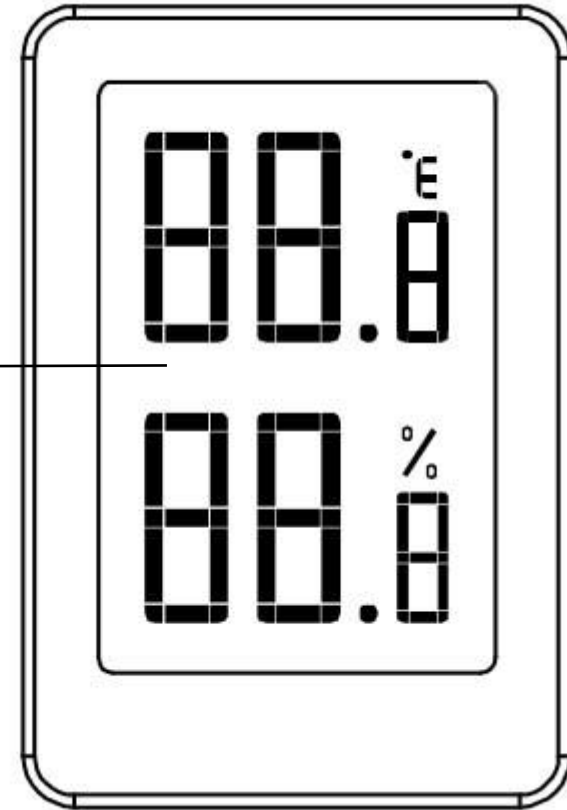
Product Manual GDTHT019

Front View

Tip:

When installing and using the product,
Please avoid covering the vents.

ePaper Display



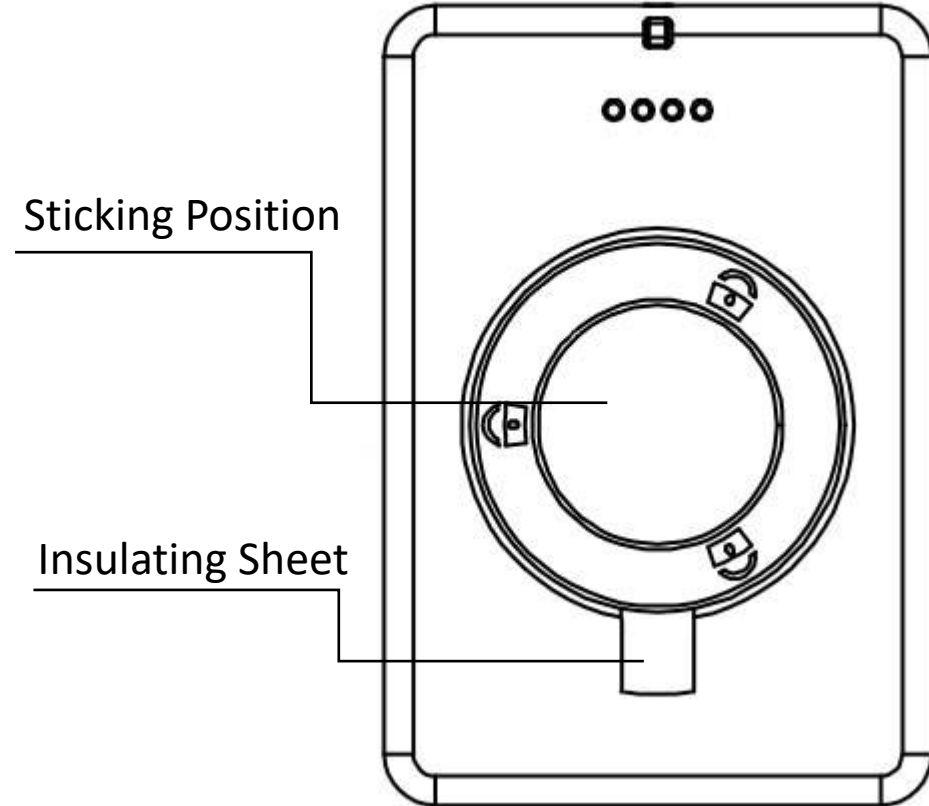
Back View

Tip:

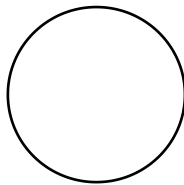
When installing and using the product,
Please avoid covering the vents.

Notice:

First time installation and use,
Please remove the battery insulation sheet.



Accessories: wall stickers



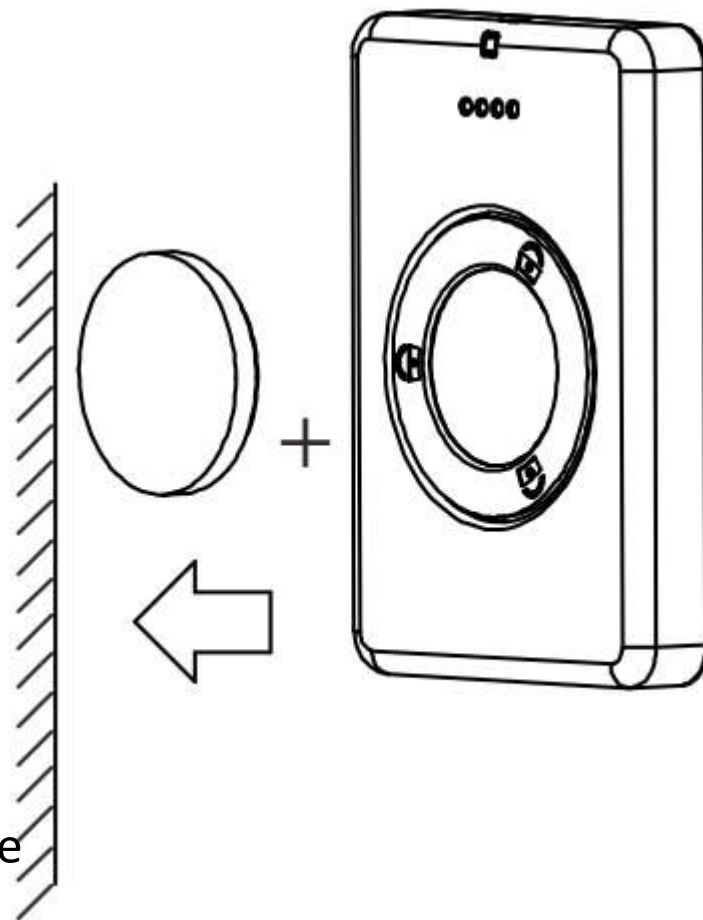
Product Installation

Tip:

The product can be installed and used in the following ways

A: Placement: directly place the product on a table/bookshelf, etc.

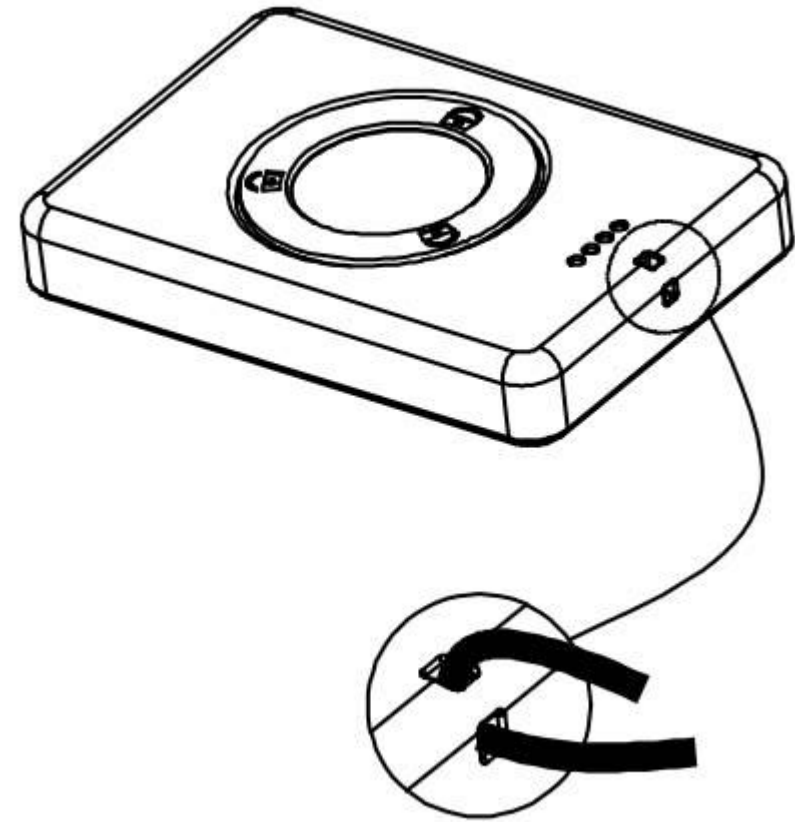
B: Sticking: Remove the release paper from the wall sticker and stick one side of the wall sticker inside the designated battery cover ring of the product. After removing the release paper from the other side, stick the product onto the selected flat surface.



C: Hanging: Press one end of the hanging rope tightly from either end of the hanging rope hole; push in with tools such as fine needles for traction, pull out from another end.

Reminder:

The hanging rope needs separate purchase

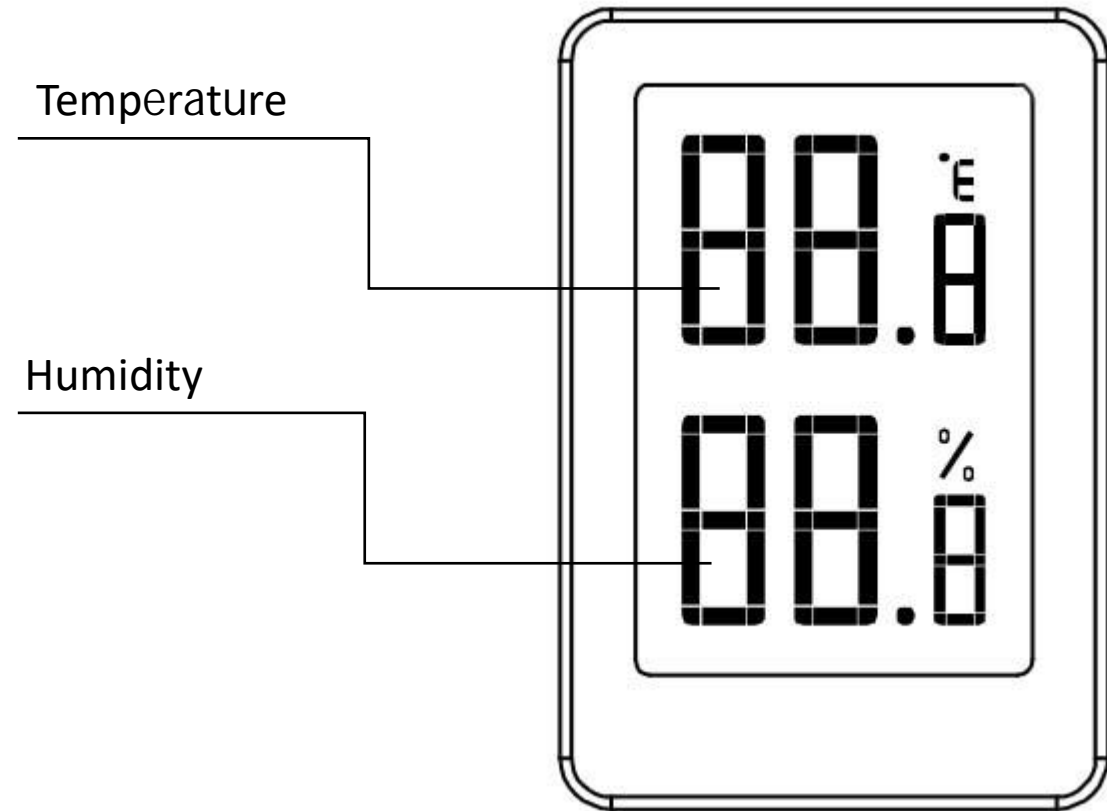


Attention:

Do not forcefully pull the rope in case of damage to the buckle

Product Use

Display Temperature and Humidity



Precaution

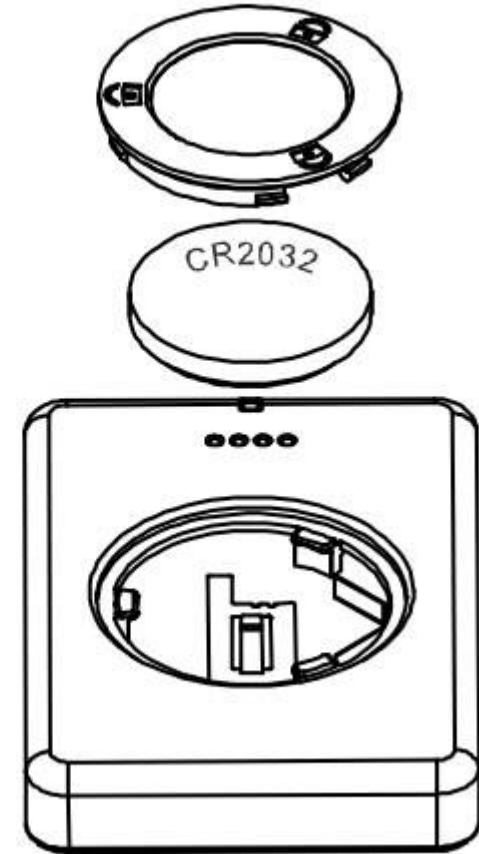
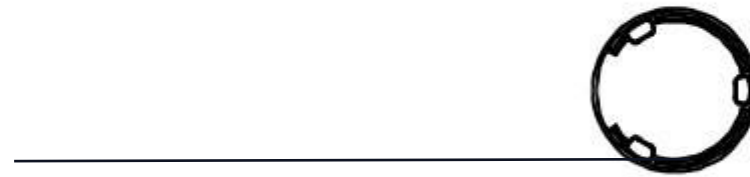
1. Ventilation holes of the product should not be submerged in water;
2. After sticking on the wall, do not forcefully remove it to avoid damage to the product or wall surface;
3. This product is not suitable for use in environments below 0 °C. Please stay away from harsh environments such as high temperature and humidity;
4. The standard battery of this product is a trial battery, which may not provide the same battery life as the standard new battery;
5. This product is intended for healthy living and cannot be used as a measuring instrument.

Maintenance

Replacing the battery

Snap the battery cover out of the lock identification position on the battery cover, and insert the positive electrode of a CR2032 battery into the battery compartment. Press the battery cover into place according to the lock position.

Note: CR2032 needs to be aligned with the positive spring



Cleaning maintenance

- ◆ Please avoid water when cleaning
- ◆ Wipe product surface with a soft cloth dipped in neutral detergent for dirt

Parameters

- Product Name: ePaper Thermometer
- Battery model: CR2032 (built-in)
- Product model: GDTHT019
- Product size: 54x37x8mm
- Product material: ABS PMMA
- Temperature measurement range: 0 °C~0 °C 5
- Temperature display resolution: 0 °C 1
- Net weight of product: 18g
- Working voltage: DC2.5V-3V
- Humidity measurement range: 0 99 RH%~%
- Humidity display resolution: 0.1% RH
- Executive standard: JBT666202014

Warranty Content

The after-sales service of this product is strictly in accordance with the "Consumer Rights Protection Law of the People's Republic of China" and the "Product Quality Law of the People's Republic of China" to implement after-sales three guarantees service. The service content is as follows:

Warranty period

1. Within 7 days from the day after you sign for the product, if there are any performance faults listed in the "Temperature and Humidity Meter Performance Fault Table", our after-sales service center will conduct testing and confirmation, and you can enjoy free return or exchange services;
2. Within 8-15 days from the day after you sign for the product, if there are any performance faults listed in the "Temperature and Humidity Meter Performance Fault Table", it can be tested and confirmed by the after-sales service center, and you can enjoy free replacement or repair services;
3. Within 12 months from the day after you sign for this product, if there are any performance faults listed in the "Temperature and Humidity Meter Performance Fault Table", it can be tested and confirmed by the after-sales service center for free repair service.

Warranty content

- Host and composition, 1-year warranty period
- Attention: Batteries and wall stickers are random consumables of the product and have no warranty period.

Non warranty regulations

- Unauthorized repair, misuse, collision, negligence, abuse, liquid ingress, accidents
- Alteration, incorrect use of non product accessories, or tearing or altering labels
- Anti counterfeit markings;
- The warranty period has expired;
- Damage caused by force majeure;
- Does not meet the performance requirements listed in the "Performance Fault Table"
- Due to human factors, this product and its accessories may experience "temperature and humidity
- Performance faults listed in the "Performance Fault Table"

Performance Fault Table

Product Name	Performance Fault
ePaper	Surface damage caused by structural or material reasons
Thermometer	Screen cannot be displayed or data cannot be displayed

Address: No.18, Zhonghua West Road, Dalian, 116033, China

Telephone:+86-411- 84619565

www.good-display.com/blank7.html?productId=509

Reminder: The product, accessories, user interface, and other illustrations in the manual are schematic diagrams for reference only. Due to product updates and upgrades, there may be slight differences between the actual product and the schematic diagram. Please refer to the actual product for accuracy.